

5 Hook Stocking Hanger Box



Shopping List:

- 1 – 1x6x8
- 1 – 1x6x4
- 5 hooks
- 1.25" brad nails
- Wood glue
- 1.25" course Kreg Jig pocket hole screws
- 120 and 220 grit sand paper
- Paint or stain for finish

Cut List:

- 2 – 1x6 @ 6.25" (Box ends)
- 1 – 1x6 @ 33.5" (Box bottom)
- 2 – 1x6 @ 35" (Box Sides)

Equipment

- Tape Measure
- Speed Square
- Saw to cut boards to length
- Hammer
- Drill
- Drill bits
- Hearing protection
- Eye protection
- Kreg Jig



IMPORTANT!! Make sure to wear eye protection, ear protection and follow the safety instructions listed on your tools.

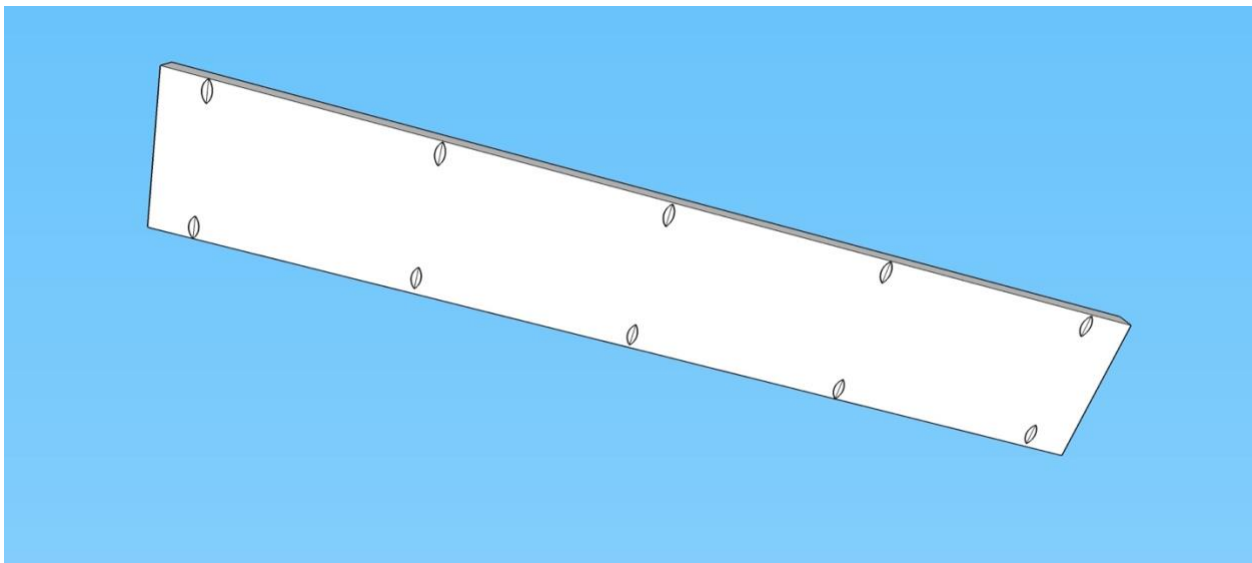
If you plan on filling your stockings with holiday goodies, you will need to weigh the box down, or it could tip over. A couple of bricks placed in the box will prevent any holiday stocking catastrophes.

Step 1:

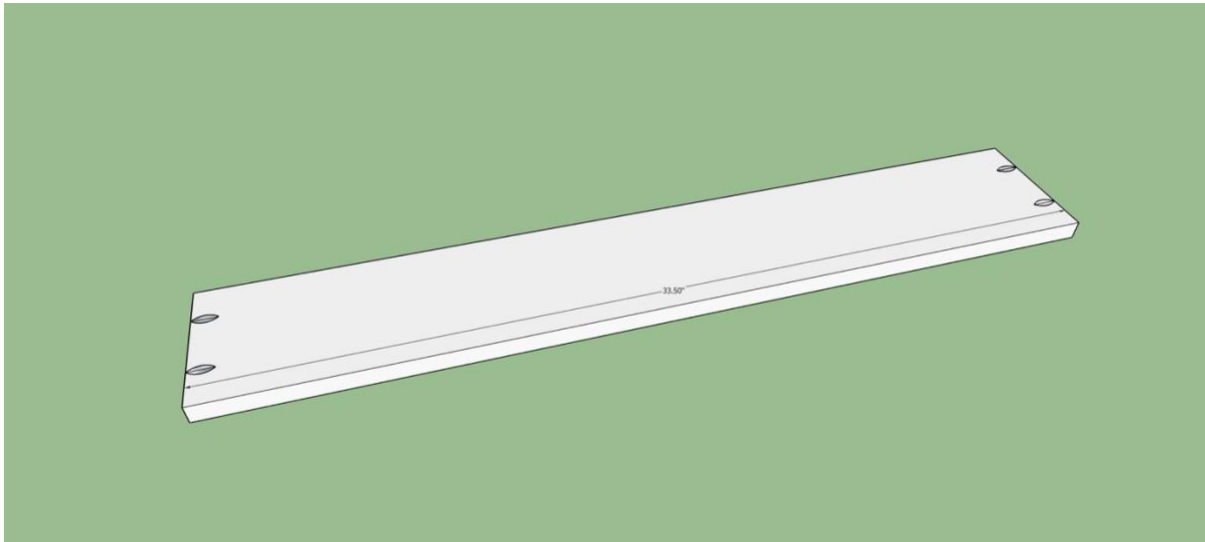
Cut a 1x6 to 33.5" (Box Bottom)

Because this stocking hanger box needs to handle some weight, I am using Kreg Jig screws to hold this box together.

Using your Kreg Jig, drill five $\frac{3}{4}$ inch pocket holes on both sides of the bottom of this board.



Turn the board over and drill four $\frac{3}{4}$ pocket holes:



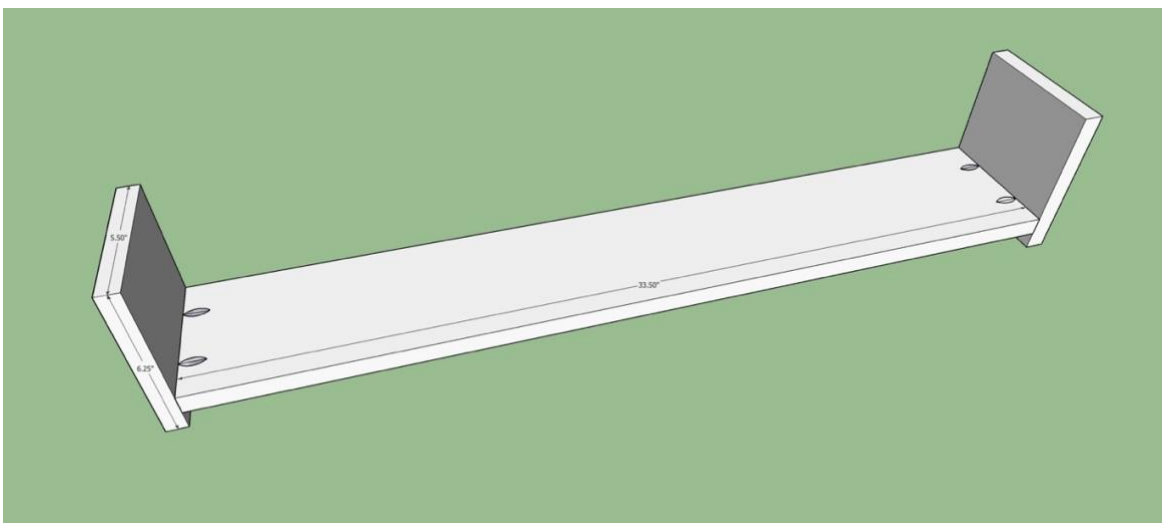
Sand the bottom board, including the pocket holes, with 120 grit sand paper.

Step 2:

Cut two 1x6 @ 6.25" (Box ends)

Sand the box ends with 120 grit sand paper before attaching to the box bottom board.

Using 1.25" Kreg Jig pocket hole screws, attach the box end boards to the box bottom board. To allow for the legs on this piece leave $\frac{3}{4}$ inch gap between the bottom of the board and the bottom of the box ends. Tip: use a scrap piece of 1x wood as a spacer while attaching the ends to the bottom board. (check to make sure your 1x spacer is $\frac{3}{4}$ inch thick)



Step 3:

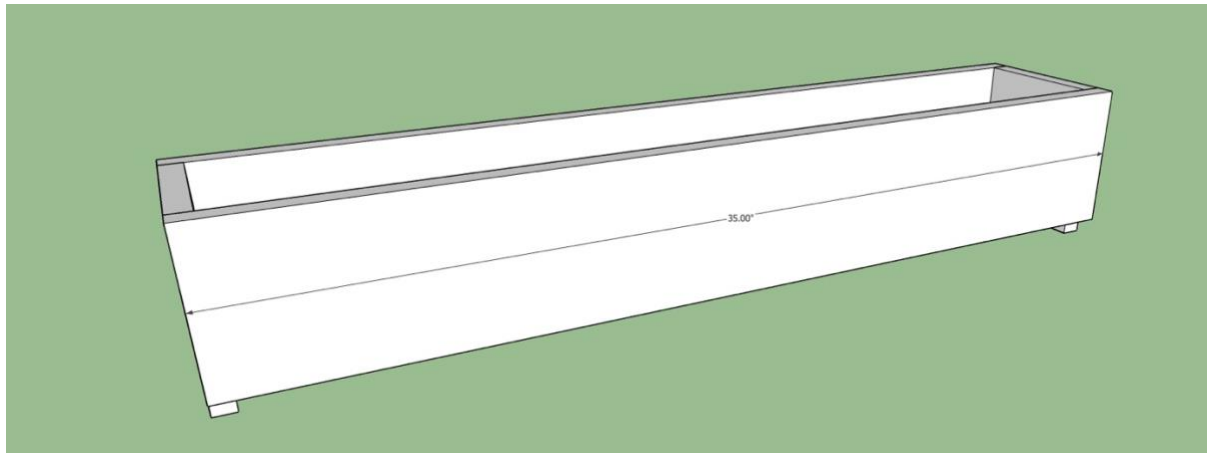
Cut two 1x6 @35" (Box sides)

Before cutting the box sides, measure and make sure your box length is measuring at 35". If not, adjust the length of the box sides.

Sand the box sides with 120 grit sand paper before attaching it to the box ends

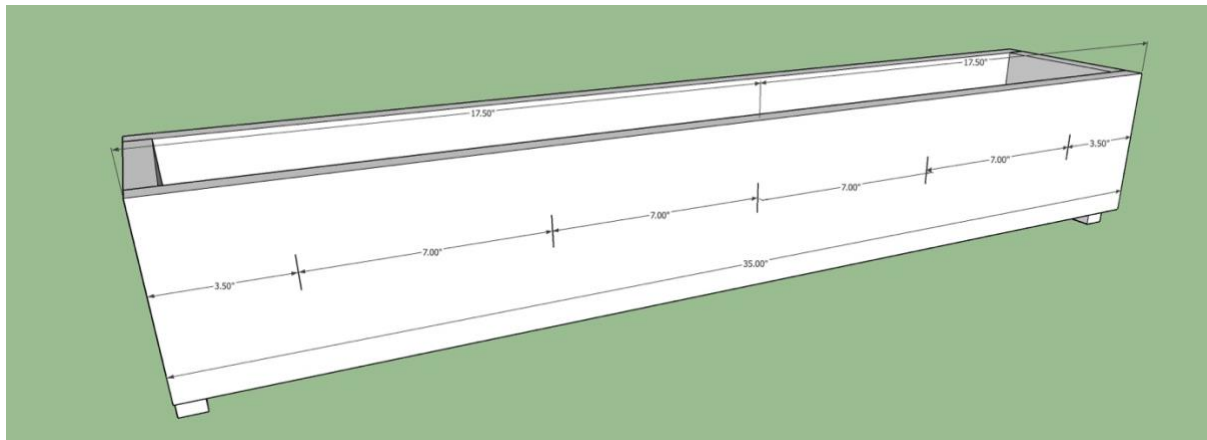
Attach to the box ends with glue and 1.5" brad nails.

Flip the piece over and attach to bottom board to the side boards with 1.25" pocket hole screws.



Step 4:

Measure out the spacing needed for your hooks as seen below and attach your hooks.



Finishing:

- Sand your project with 220 grit sand paper.
- Wipe down your project with either a tack cloth or damp cloth to remove any dust from sanding.
- Finish your project with paint or stain.