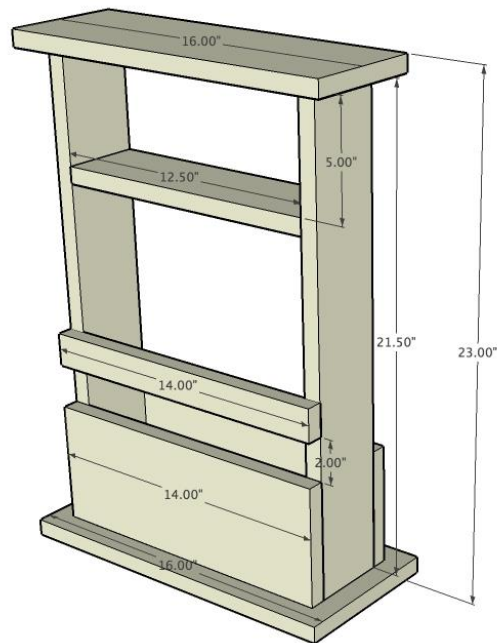


Skinny Side Table



This is an excellent project for that scrap wood that might be hanging around in your workshop. With the wood in the shopping list below, you will have enough to build two tables.

Shopping List:

- 1 – 1x2x4
- 1 – 1x4x8 (if you want to make two tables, add 1 – 1x4x4 to your list)
- 1 – 1x6x4 (if you want to make two tables, get 1 – 1x6x8 instead of 1 – 1x6x4)
- 1 – 1x8x4
- 1.25" brad nails
- Wood glue
- 120 and 220 grit sand paper
- Paint or stain for finish

Cut List (for one table):

- 1 – 1x2 @ 14" (book support)
- 1 – 1x4 @ 12.5" (shelf)
- 2 – 1x4 @ 21.5" (tall sides)
- 1 – 1x6 @ 16" (table top)
- 2 – 1x6 @ 14 (wide sides)
- 1 – 1x8 @ 16" (bottom)

Equipment

- Tape Measure
- Speed Square
- Saw to cut boards to length
- Hammer or brad nailer
- Hearing protection
- Eye protection

IMPORTANT!! Make sure to wear eye protection, ear protection and follow the safety instructions listed on your tools.

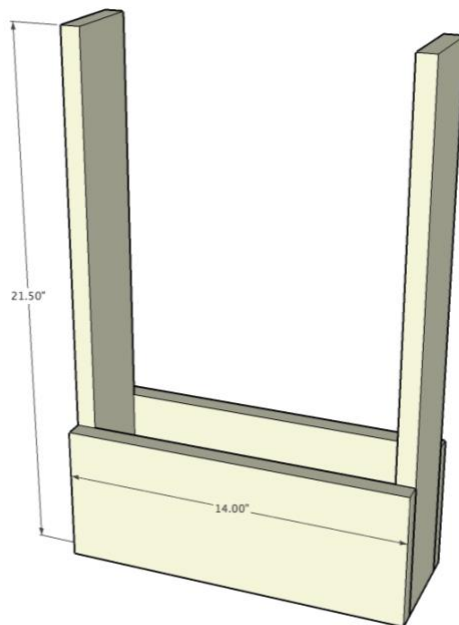
Step 1:

Cut two 1x6 @ 14" (tall sides)

Cut two 1x4 @ 21.5" (wide sides)

Sand all pieces with 120 grit sand paper before attaching the sides together.

Attach all sides, as seen below, with 1.25" brad nails and glue.



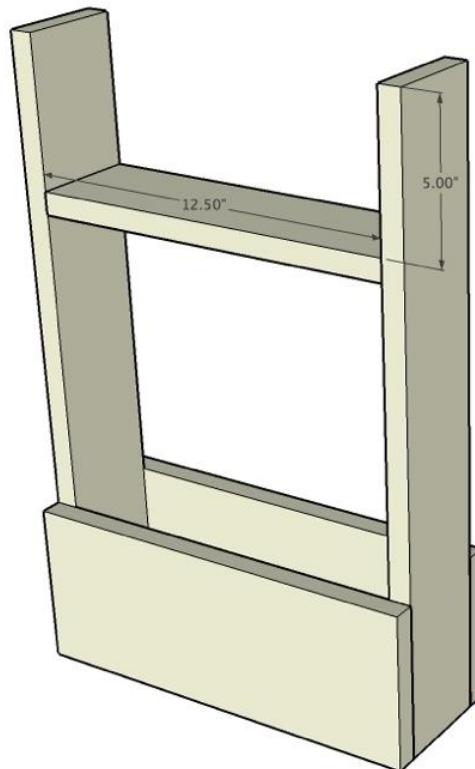
Step 2:

Before cutting the 1x4 shelf, measure the distance between the tall sides. If the tall sides are a little bowed, it may affect the length of the shelf.

Cut one 1x4 @ 12.5" (shelf)

Sand the 1x4 with 120 grit sand paper before attaching to the project

Attach the top the 1x4 shelf about 5" down from the top of the 1x4 tall sides (as seen below) with 1.25" brad nails and glue



Step 3:

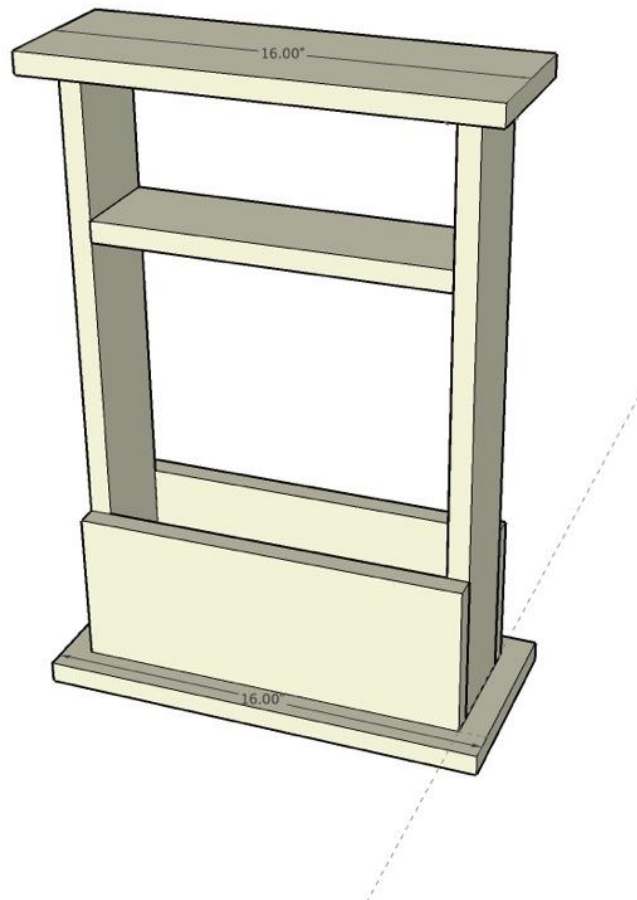
Cut one 1x6 @ 16" (table top)

Cut one 1x8 @ 16" (table bottom)

Sand both boards with 120 grit sand paper before attaching to the project.

Attach the top and table bottom to the project using 1.25" brad nails and glue.

The top will have a 1" overhang on all sides. The bottom 1x8, however, will have a 1" lip on the end and about 1 1/8 inch lip on the sides. The measurement is not exact, just split the difference as best you can.

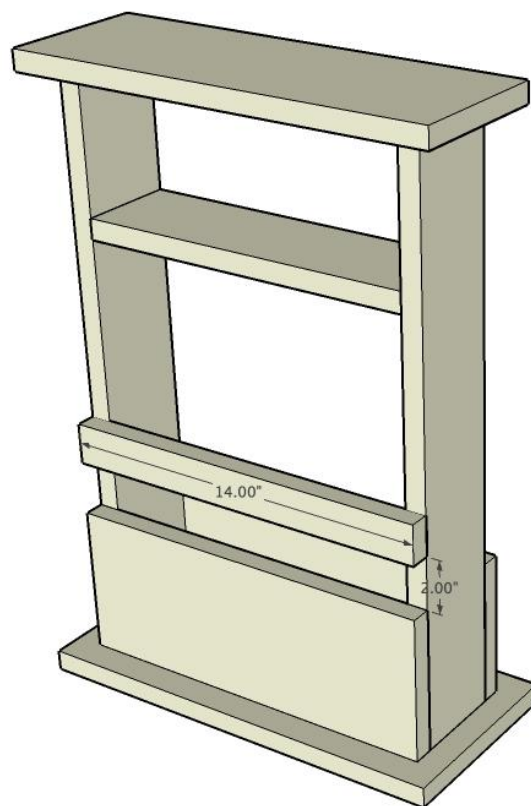


Step 4:

Cut one 1x2 @14" (book support)

Sand the 1x2 before attaching to the project.

Attach the 1x2 two inches above the 1x6 wide side with 1.25" brad nails and glue.



Finishing:

- Sand your project with 220 grit sand paper.
- Wipe down your project with either a tack cloth or damp cloth to remove any dust from sanding.
- Finish your project with paint or stain.